



ISO: 9001
ASTM JIS UL

CABLE LADDER SYSTEM

- CL70 TYPE-E CL100 TYPE-E CL100 TYPE-O CL100 TYPE-EG CL100 TYPE-EM CL120 TYPE-EGM CL150 TYPE-EGM CL110 TYPE-L

RUNG:



SIDE RAIL:

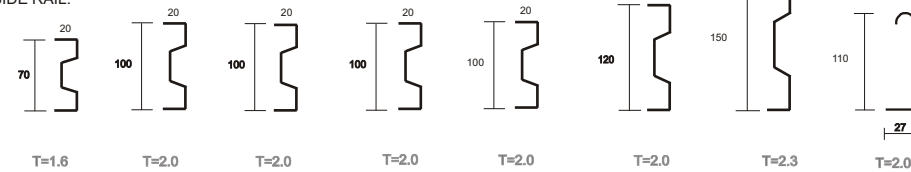
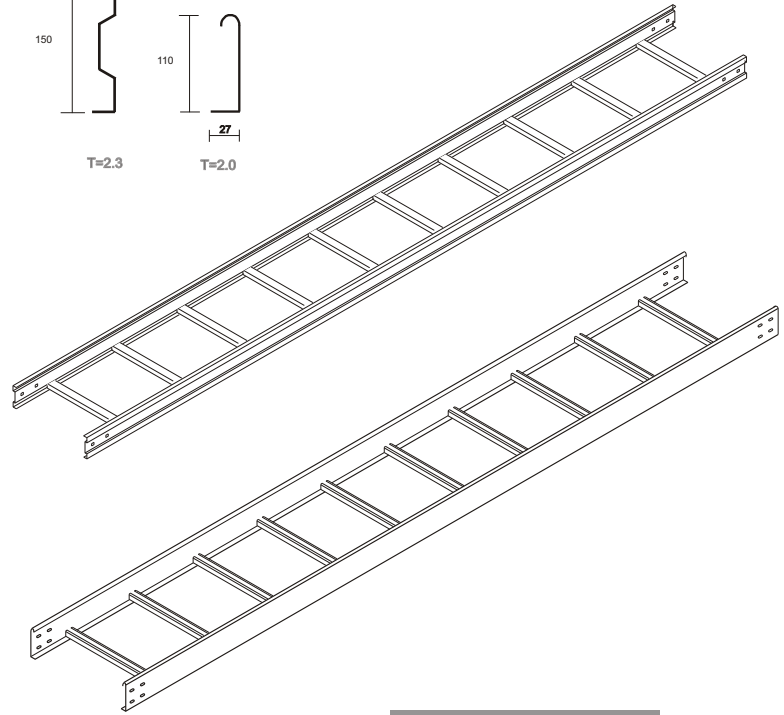
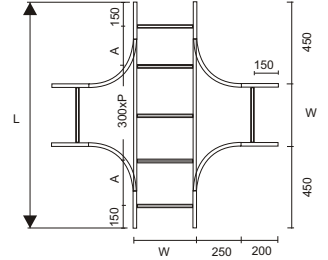
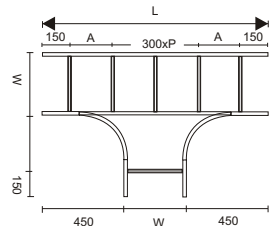
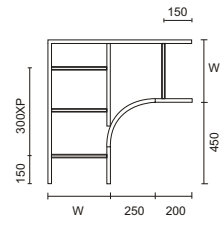
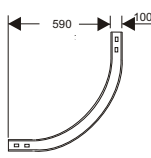
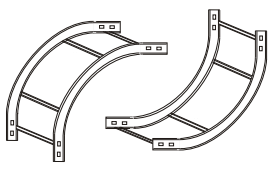
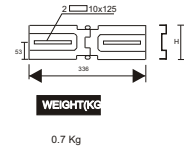
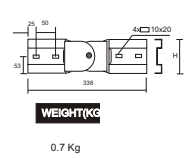
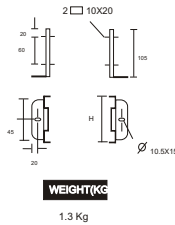
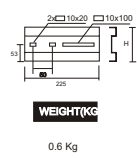
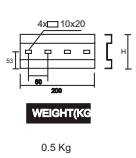
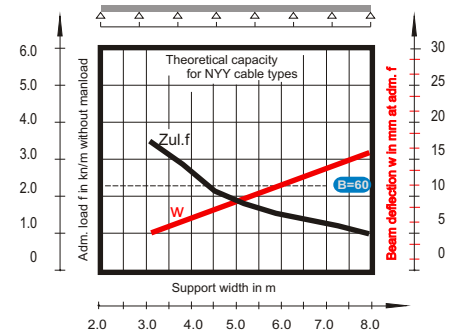


TABLE OF AVAILABLE CABLE LADDER



Allowable Static Load	Clear span(m/kg)				
	1.0	1.5	2.0	2.5	3.0
CLE100	1.0	1.5	2.0	2.5	3.0
W300	2433 2433	1128 1692	475 950	243 742	141 423
W400	1368 1368	1128 1692	475 950	243 742	141 423
W500	876 876	876 1314	475 950	243 742	141 423
W600	608 608	608 912	475 950	243 742	141 423
W700	447 447	447 670	447 894	243 742	141 423
W800	342 342	342 513	342 684	243 742	141 423
W900	270 270	270 405	270 540	243 742	141 423
W1000	219 219	219 328	219 438	219 547	141 423
W1100	181 181	181 271	181 362	181 452	141 423
W1200	152 152	152 228	152 304	152 380	141 423

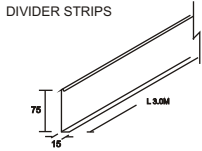




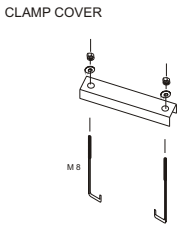
ISO: 9001
ASTM JIS UL

CABLE TRAYS SYSTEM CT-TYPE

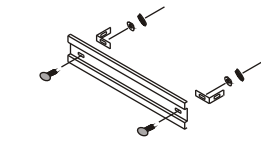
Shape of side rail



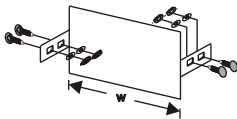
DIVIDER STRIPS



CLAMP COVER

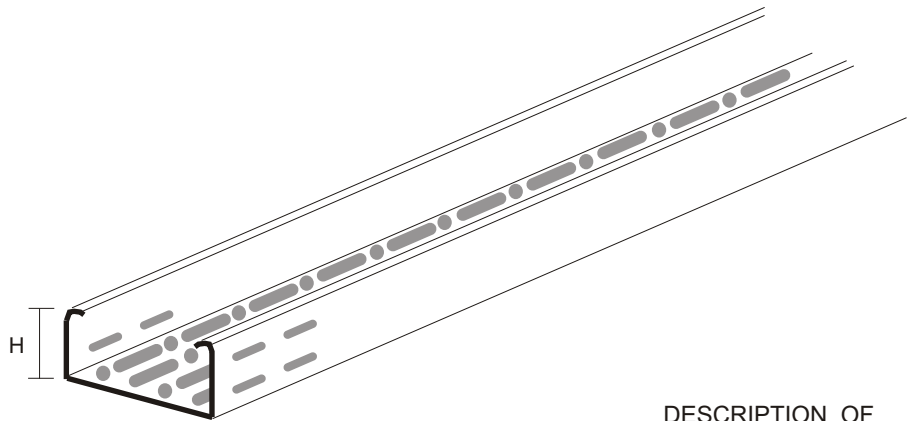
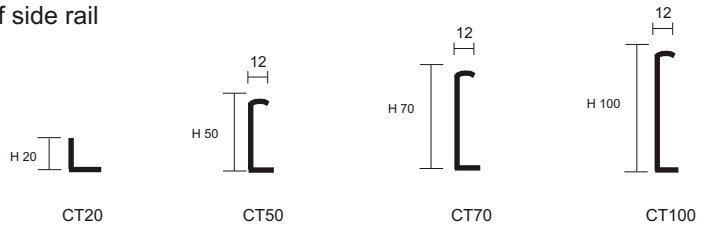
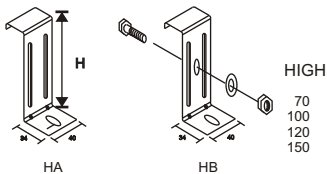


BLIND ENDS CLE TYPE



REDUCER PLATES CLE-N TYPE

Cup Square Neck Bolts M8 x15



DESCRIPTION OF CABLE TRAY / LADDER :

Components.

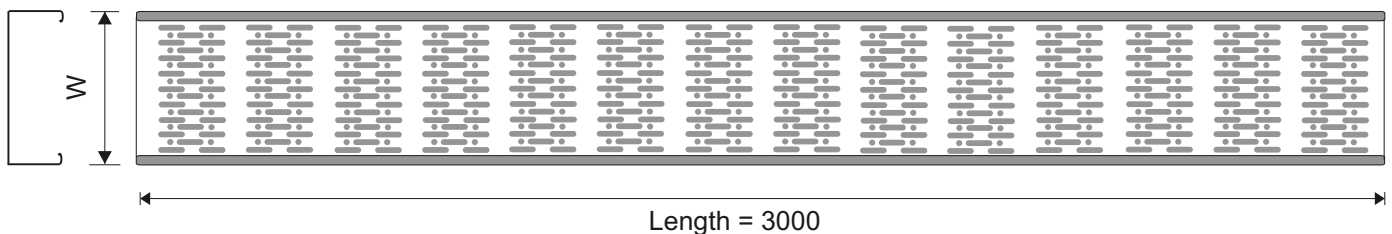
- Material (made to order)
- Stainless Steel / Aluminium Sheet
- Aluzinc Steel Sheet. / Galvanized Steel Sheet
- Hot Roll Mild Steel Sheet./ Electro Galvanized Steel Sheet

Surface Treatment

- Stoved Enamel Painting.
- Hot dip Galvanized after fabrication.
- Aluzinc Steel Sheet fabricated without painting
- Other surface treatment are available upon special requirement
- All Bolts, Nuts and Washers shall be Electro Galvanized or Stainless

Straight Section

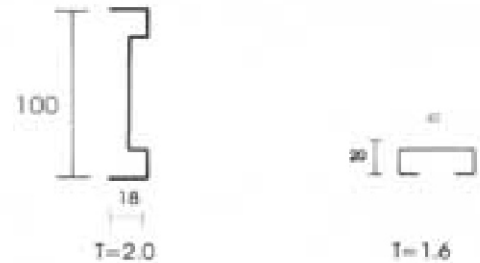
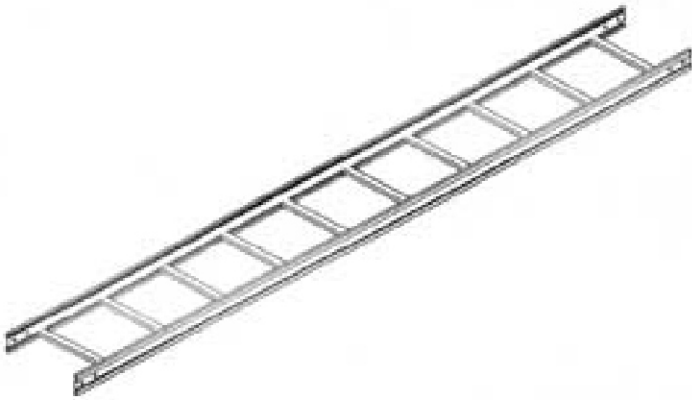
Side rail	Width									
	kg	10	15	20	150	200	300	400	500	600
CT20 T=1.2		4.7	6.2	7.4						
CT50 T=1.6					13.0	15.0	19.0			
CT70 T=2.0							25.5	30.5	36.2	39.9
CT100 T=2.0							31.5	36.8	41.8	46.5





CABLE LADDER SYSTEM

TABLE OF AVAILABLE CABLE LADDER



CLE 100

Rail thickness 2.0 mm
Stock length 3000mm

WIDTH (MM).	WEIGHT (KG)
W 150	18.0
W 200	18.9
W 300	20.5
W 400	21.3
W 500	23.8
W 600	25.5
W 700	27.8
W 800	28.8
W 900	31.5
W 1000	32.6
W 1200	36.5

H=100 T=2.0 L=3000 , 6000

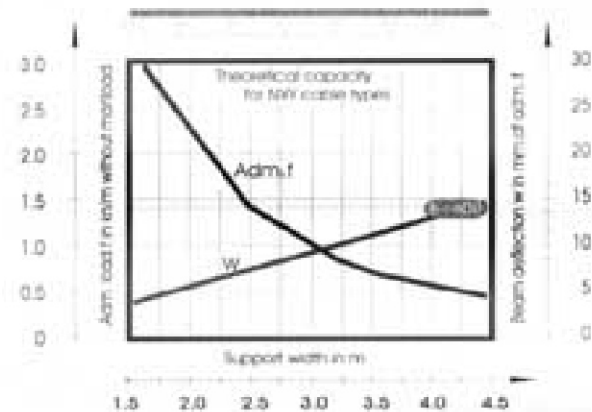
DESCRIPTION

- Stock length: 3000 mm
- Mounting: on bracket using C150 clamping pieces
- Bent edge: on top of side rail for reinforcement and edge protection.
- Rungs: made of C-profile with welded
- Material: sheet steel, strip-galvanized acc. To DIN EN 10147(F5)
Sheet steel, hot-dip galvanized acc. To DIN 50976(F7)

Class. Acc.to Din VDE 0639

- Temperature class: -45 bis 150 c
- Corrosive and aggressive influences:
 - Medium resistivity (F5)
 - High resistivity (F7)
- Insulation: High resistivity (F5+F7)

Load

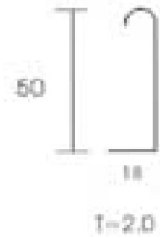
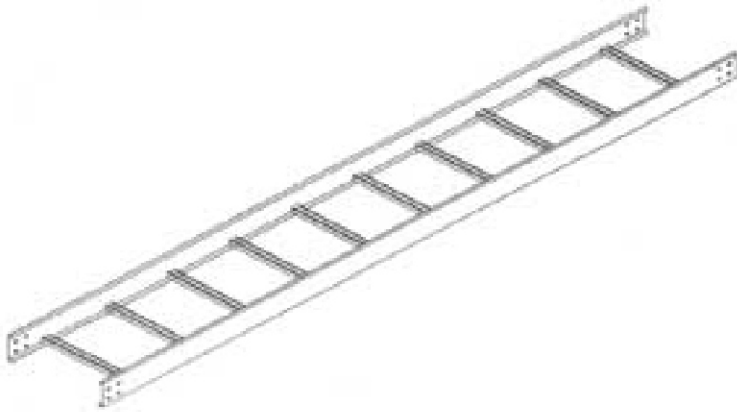


Allowable Static Load	Clear span(m/kg)				
	1.0	1.5	2.0	2.5	3.0
CLE100					
W300	2433	1128	475	243	141
W400	1368	1128	475	243	141
W450	876	876	475	243	141
W600	608	608	475	243	141
W650	447	447	447	243	141
W800	342	342	342	243	141
W900	270	270	270	243	141
W1000	219	219	219	219	141
W1100	181	181	181	181	141
W1200	152	152	152	152	141



CABLE LADDER SYSTEM

TABLE OF AVAILABLE CABLE LADDER



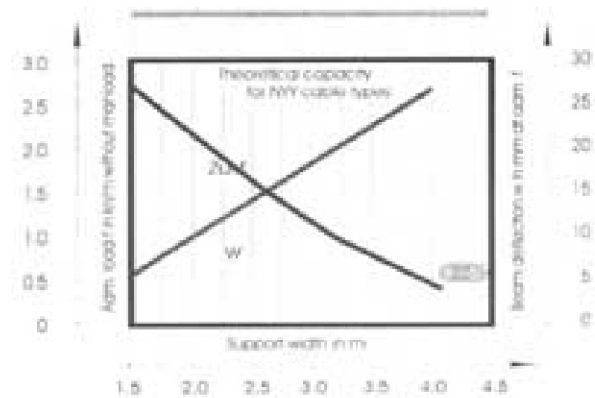
Load

CL 50

Rail thickness 2.0 mm
Stock length 3000mm

WIDTH (MM).	WEIGHT (KG)
W 100	6.4
W 150	7.2
W 200	8.0
W 300	8.6
W 400	9.2
W 500	10.0
W 600	11.0

H=50 T=2.0 L=3000



DESCRIPTION

Stock length: 3000 mm
Mounting: on bracket using C150 clamping pieces
Bent edge: on top of side rail for reinforcement and edge protection.
Rungs: made of C-profile with welded
Material: sheet steel, strip-galvanized acc. To DIN EN 10147(FS)
Sheet steel, hot-dip galvanized acc. To DIN 50976(FT)

Class. Acc.to Din VDE 0639

Temperature class: -45 bis 150 c
Corrosive and aggressive influences:
Medium resistivity (FS)
High resistivity (FT)
Insulation: High resistivity (FS+FT)

Allowable Static Load	Clear span(mv/kg)				
	1.0	1.5	2.0	2.5	3.0
C150					
W150	630	275	112	62	37
W200	616	263	107	54	30
W300	616	395	215	135	90
W400	616	262	107	54	29
W500	555	262	107	53	29
W600	441	262	106	53	29
	441	393	213	133	87
	367	262	106	52	28
	367	393	212	132	86



CABLE LADDER SYSTEM

STRAIGHT SECTION:

CLE100	TYPE-E
WIDTH (MM).	WEIGHT (KG)
W 150	18.0
W 200	18.9
W 300	20.5
W 400	21.3
W 500	23.8
W 600	25.5
W 700	27.8
W 800	28.8
W 900	31.5
W 1000	32.6
W 1200	36.5

H=100 T=2.0 L=3000, 6000

CLE120	TYPE-EGM
WIDTH (MM).	WEIGHT (KG)
W 150	22.5
W 200	23.5
W 300	25.0
W 400	26.7
W 500	29.2
W 600	30.0
W 700	32.4
W 800	36.0
W 900	37.8
W 1000	38.9
W 1200	40.8

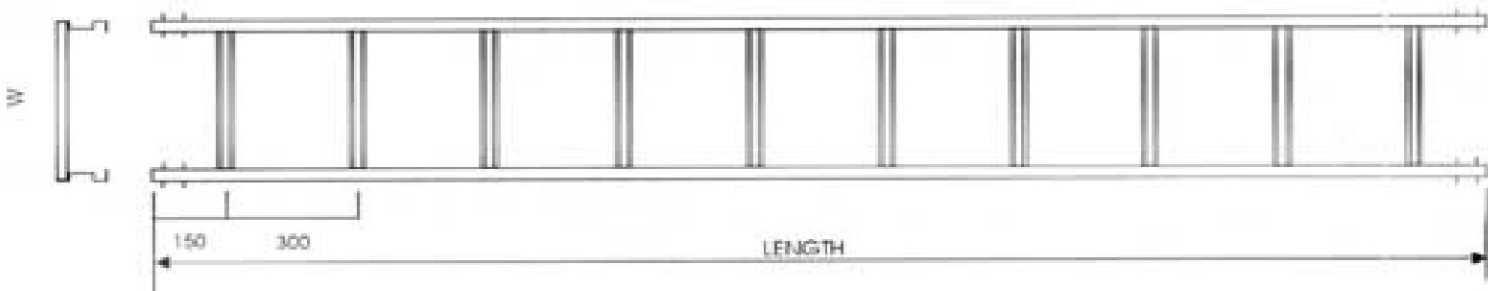
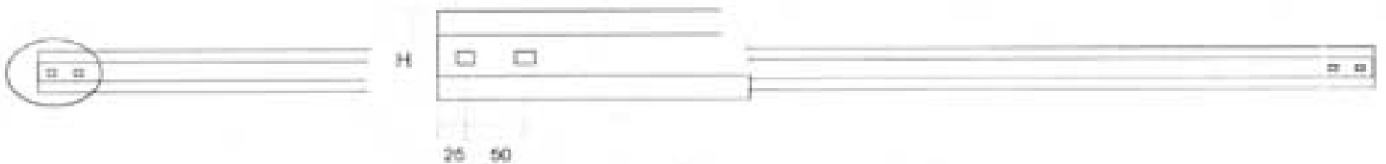
H=120 T=2.0 L=3000, 6000

CLE70	TYPE-E
WIDTH (MM).	WEIGHT (KG)
W 150	9.6
W 200	10.2
W 300	11.5
W 400	13.0
W 500	14.5
W 600	15.5

H=70 T=1.6 L=3000

CLE150	TYPE-EGM
WIDTH (MM).	WEIGHT (KG)
W 500	34.0
W 600	35.0
W 700	37.5
W 800	38.5
W 900	42.0
W 1000	43.5

H=150 T=2.3 L=3000, 6000





CABLE LADDER SYSTEM

HORIZONTAL 90 ELBOW CLE-L TYPE:

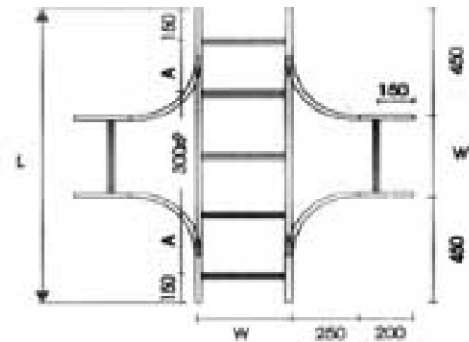
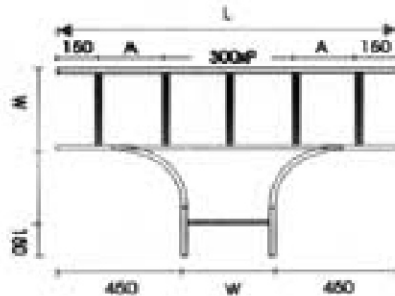
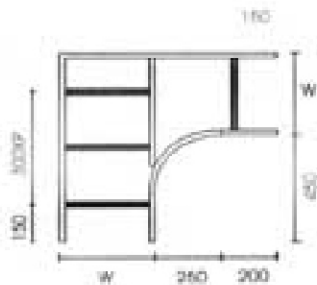
WIDTH (MM).	P	WEIGHT (KG)
W 150	1	6.0
W 200	1	6.5
W 300	1	7.6
W 400	2	8.8
W 500	2	9.9
W 600	2	11.1
W 700	3	13.5
W 800	3	14.5
W 900	3	15.9
W 1000	4	18.6

HORIZONTAL TEE CLE-T TYPE:

WIDTH (MM).	L	P	A	WEIGHT (KG)
W 150	1050	1	225	7.6
W 200	1100	1	250	8.4
W 300	1200	1	300	9.7
W 400	1300	2	200	11.0
W 500	1400	2	250	12.3
W 600	1500	2	300	13.6
W 700	1600	3	200	15.9
W 800	1700	3	250	17.3
W 900	1800	3	300	18.7
W 1000	1900	4	200	21.6

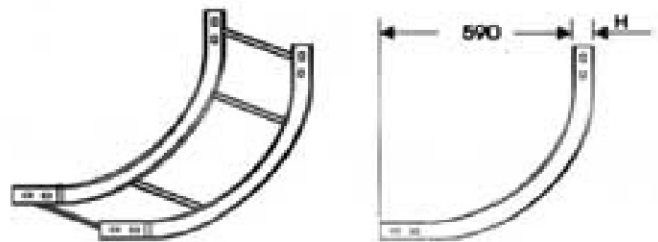
HORIZONTAL TEE CLE-X TYPE:

WIDTH (MM).	L	P	A	WEIGHT (KG)
W 150	1050	1	225	10.3
W 200	1100	1	250	11.0
W 300	1200	1	300	12.2
W 400	1300	2	200	13.6
W 500	1400	2	250	14.9
W 600	1500	2	300	16.2
W 700	1600	3	200	18.6
W 800	1700	3	250	20.1
W 900	1800	3	300	21.6
W 1000	1900	4	200	24.6



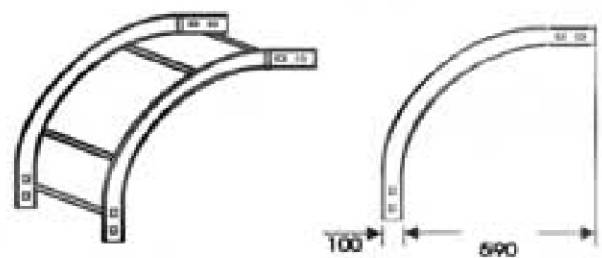
INSIDE VERTICAL RISER CLE- C TYPE

WIDTH (MM).	WEIGHT (KG)
W 150	6.6
W 200	6.9
W 300	7.5
W 400	8.1
W 500	8.7
W 600	9.3
W 700	9.8
W 800	10.5
W 900	11.0
W 1000	11.8



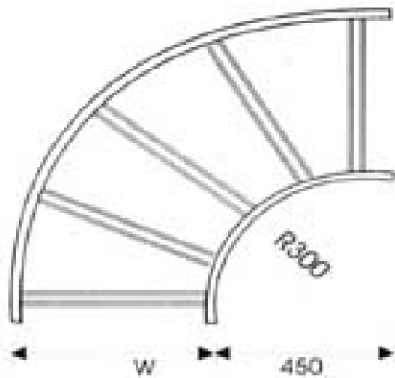
OUTSIDE VERTICAL RISER CLE- D TYPE

WIDTH (MM).	WEIGHT (KG)
W 150	6.6
W 200	6.9
W 300	7.5
W 400	8.1
W 500	8.7
W 600	9.3
W 700	9.8
W 800	10.5
W 900	11.0
W 1000	11.8





CABLE LADDER SYSTEM



HORIZONTAL 90 ELBOW CLE-LA TYPE:

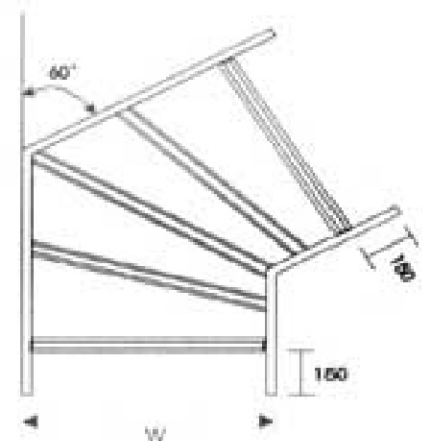
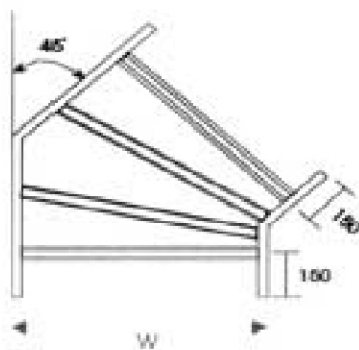
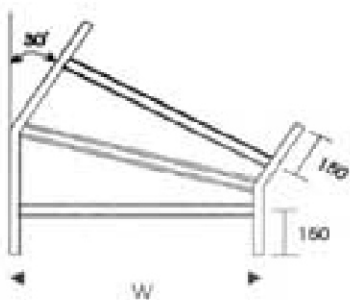
WIDTH (MM).	P	WEIGHT (KG)
W 150		5.0
W 200		5.8
W 300		6.5
W 400		7.5
W 500		8.5
W 600		9.5
W 700		10.7
W 800		11.7
W 900		12.8
W 1000		13.8



HORIZONTAL TEE CLE-TT TYPE:

WIDTH (MM).	P	WEIGHT (KG)
W 150		4.2
W 200		4.5
W 300		4.9
W 400		5.2
W 500		5.5
W 600		5.8
W 700		6.0
W 800		6.4
W 900		6.6
W 1000		7.0

WIDTH (MM)	ANGLE		
	30	45	60
W 150	3.0	3.7	4.5
W 200	3.5	4.5	5.4
W 300	4.0	5.2	6.4
W 400	4.6	6.0	7.4
W 500	5.2	6.8	8.4
W 600	5.8	7.6	9.4
W 700	6.4	8.4	10.4
W 800	6.9	9.1	11.3
W 900	7.5	9.9	12.3
W 1000	8.0	10.7	13.3



HORIZONTAL ELBOW 30 45 60 CLE-K TYPE



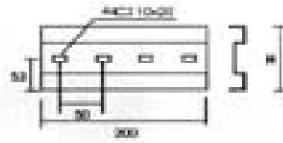
ISO: 9001
ASTM JIS UL

CABLE LADDER SYSTEM

SPLICE PLATES CLE-TYPE



Square neck bolts, M8x15 and Flange nuts

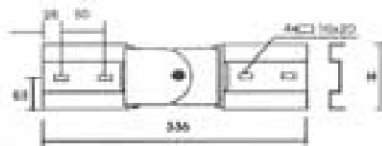


CLES(H)	WEIGHT(KG)
70	0.45
100	0.50
120	0.55
150	0.60

VERTICAL ADJUSTABLE CLE-TYPE



Square neck bolts, M8x15 and Flange nuts

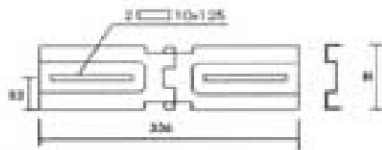


CLEV(H)	WEIGHT(KG)
70	0.60
100	0.70
120	0.80
150	0.90

HORIZONTAL PLATES CLE-TYPE



Square neck bolts, M8x15 and Flange nuts

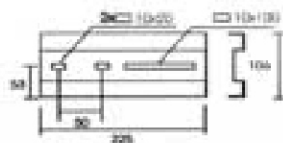


CLEH(H)	WEIGHT(KG)
70	0.60
100	0.70
120	0.80
150	0.90

EXPANSION SPLICE PLATES CLE-TYPE

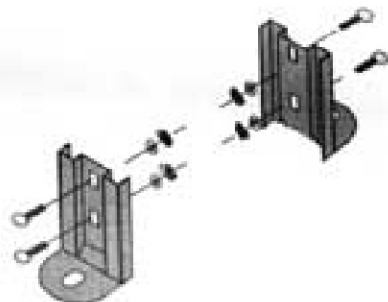


Square neck bolts, M8x15 and Flange nuts

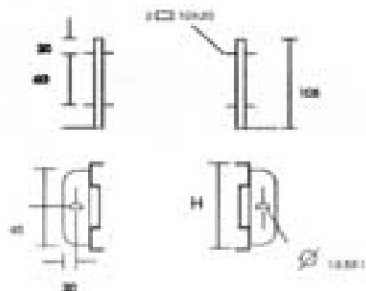


CLEP(H)	WEIGHT(KG)
70	0.45
100	0.50
120	0.55
150	0.60

90 SPLICE PLATES CLE- TYPE



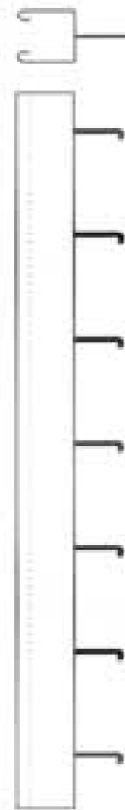
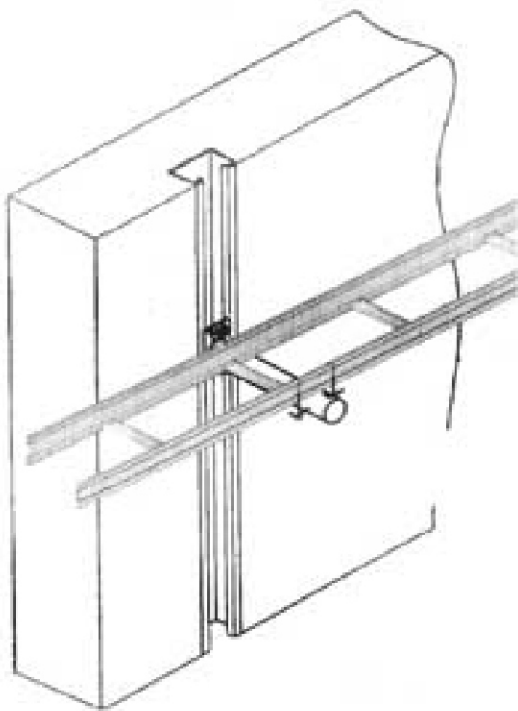
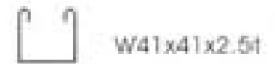
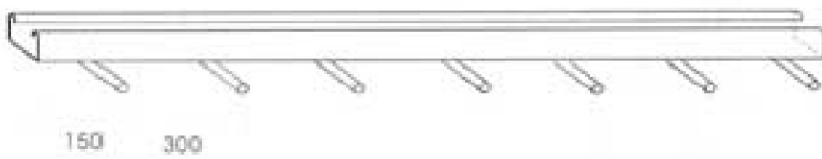
Square neck bolts, M8x15 and Flange nuts



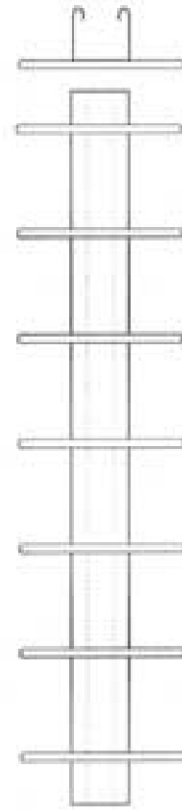
CLEP(H)	WEIGHT(KG)
70	1.20
100	1.30
120	1.40
150	1.50



Concrete Riser



CI-1



Welding

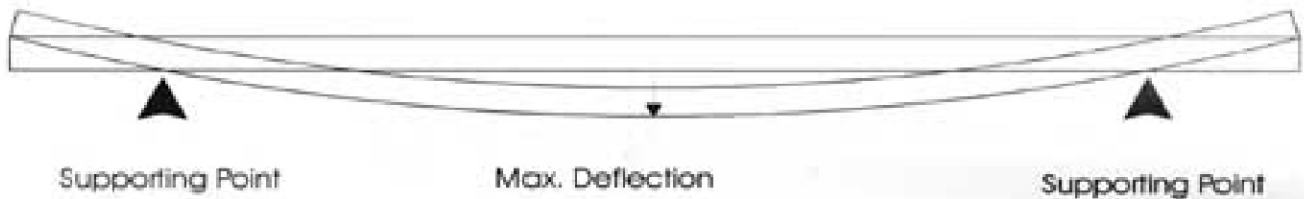
CI-2



CABLE LADDER SYSTEM

CABLE LADDER & TRAY ALLOWABLE LOAD

Uniformly Distributed Load



MEASUREMENT OF ALLOWABLE LOAD

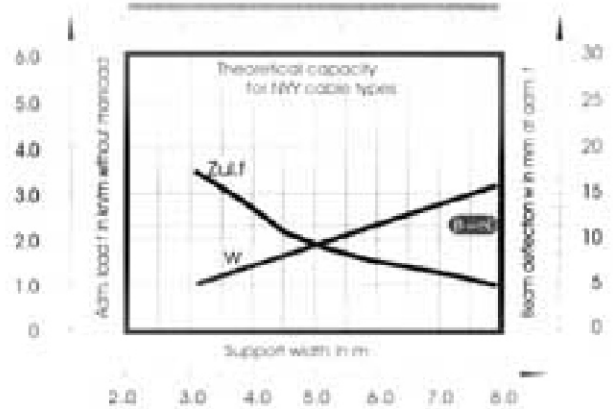
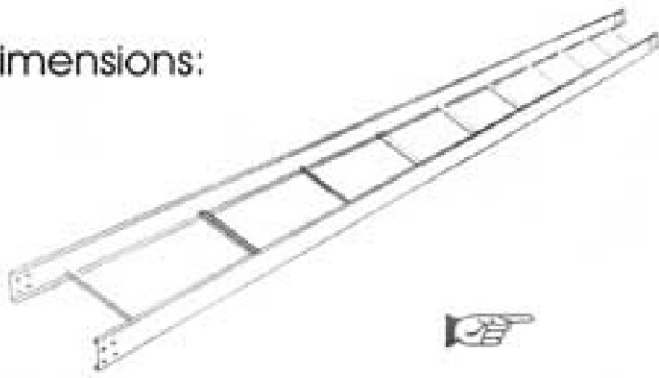
The allowable load is the load in the case where the deflection in the longitudinal direction reaches $1/300$ the interval between supporting point or the deflection in lateral direction reaches $1/50$ or width which is less.



CABLE LADDER SYSTEM

CABLE LADDER ALLOWABLE LOAD

Dimensions:



Allowable Static Load	Clear span(m/kg)				
	1.0	1.5	2.0	2.5	3.0
CLE100					
W300	2433	1128	475	243	141
	2433	1692	950	742	423
W400	1368	1128	475	243	141
	1368	1692	950	742	423
W450	876	876	475	243	141
	876	1314	950	742	423
W600	608	608	475	243	141
	608	912	950	742	423
W650	447	447	447	243	141
	447	670	894	742	423
W800	342	342	342	243	141
	342	513	684	742	423
W900	270	270	270	243	141
	270	405	540	742	423
W1000	219	219	219	219	141
	219	328	438	547	423
W1100	181	181	181	181	141
	181	271	362	452	423
W1200	152	152	152	152	141
	152	228	304	380	423

Allowable Static Load	Clear span(m/kg)				
	1.0	1.5	2.0	2.5	3.0
CLE120					
W300	881	881	771	397	224
	881	1176	1326	1021	670
W400	773	773	711	397	224
	773	1063	1291	1014	670
W500	671	671	606	384	222
	671	999	1206	955	668
W600	558	558	558	384	222
	558	835	1110	952	667
W700	474	474	478	384	222
	474	718	956	952	666
W800	417	417	417	384	221
	417	627	834	950	665
W900	367	367	367	367	221
	367	553	734	919	664
W1000	330	330	330	330	221
	330	496	661	826	663

Allowable Static Load	Clear span(m/kg)				
	1.0	1.5	2.0	2.5	3.0
CLE70					
W150	630	275	112	62	37
	630	385	208	129	88
W200	616	263	107	54	30
	616	395	215	135	90
W300	616	262	107	54	29
	616	394	214	135	89
W400	555	262	107	53	29
	555	394	214	134	89
W500	441	262	106	53	29
	441	393	213	133	87
W600	367	262	106	52	28
	367	393	212	132	86

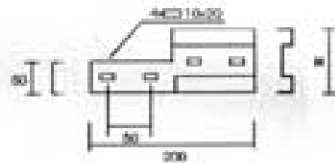
Allowable Static Load	Clear span(m/kg)				
	1.0	1.5	2.0	2.5	3.0
CLE150					
W500	360	360	360	360	360
	360	541	721	902	1080
W600	298	298	298	298	298
	298	447	596	746	895
W700	253	253	253	253	253
	253	380	506	633	760
W800	219	219	219	219	219
	219	329	438	549	659
W900	193	193	193	193	193
	193	290	386	483	580
W1000	172	172	172	172	172
	172	258	344	430	517



CABLE LADDER SYSTEM

CABLE LADDER ACCESSORIES SYSTEM

SPLICE PLATES CLE-TYPE



CLEN(H)	WEIGHT(KG)
100-60	0.50
120-100	0.55
150-100	0.60



Square neck bolts M8x15 and Flange nuts

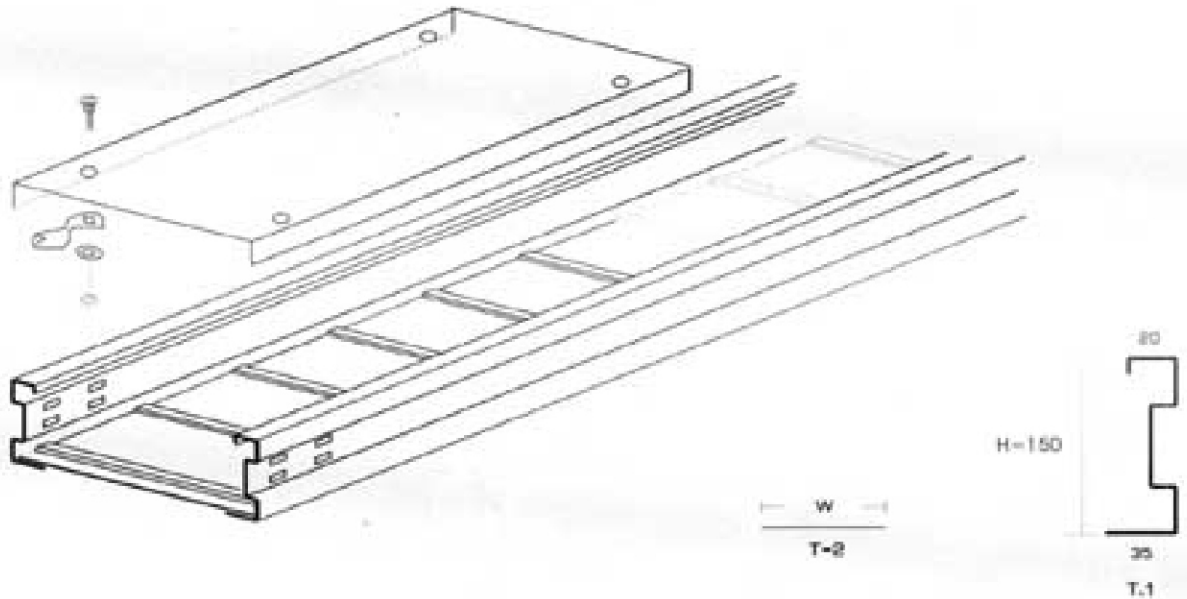


ISO: 9001
ASTM JIS UL

CABLE DUCT

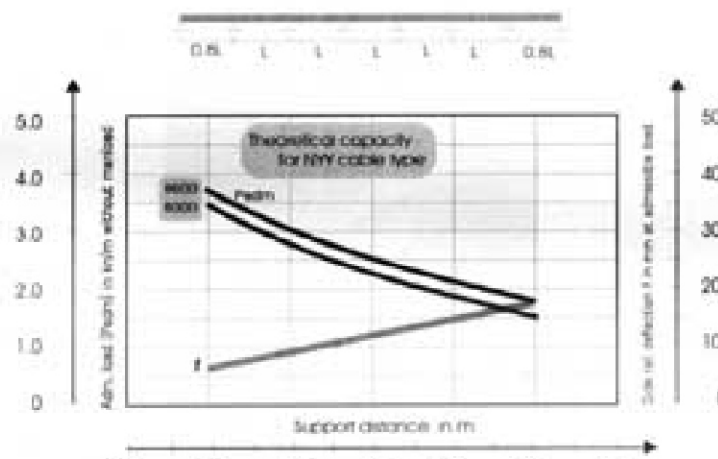
Heavy Load Type

Shape of side rail



Wide	300	400	500	600	700	800	900	1000
T.1	2.3	2.3	2.3	2.3	2.3	3.0	3.0	3.0
T.2	1.6	1.6	1.6	2.0	2.0	2.0	2.0	2.0
Weight	88.4	99.4	110.4	121.4	132.4	143.4	154.4	165.4

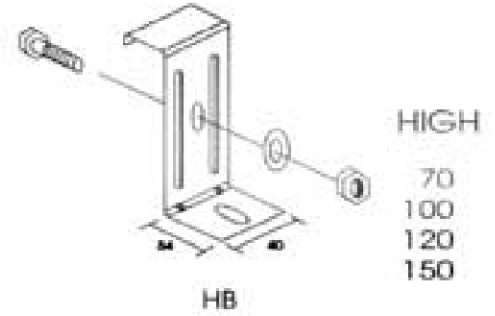
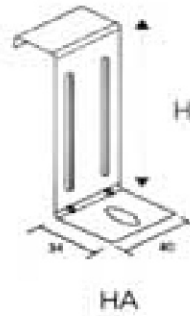
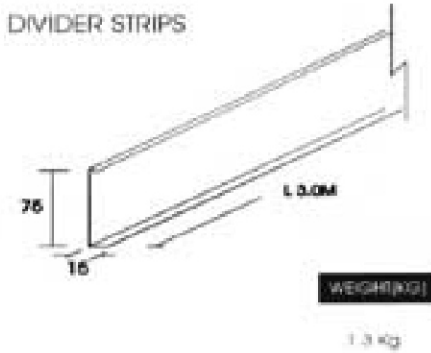
Loading Graph



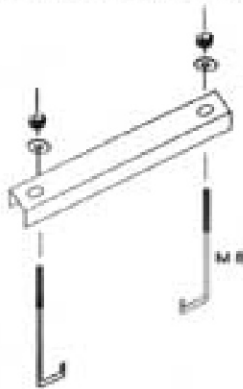


ISO: 9001
ASTM JIS UL

CABLE LADDER SYSTEM



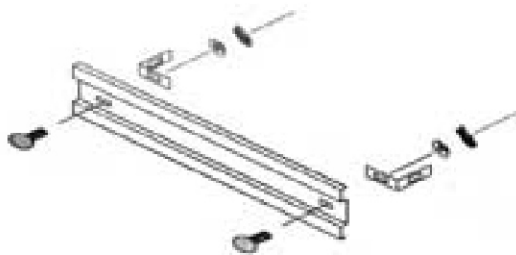
DESCRIPTION FOR COVER TRAY OR LADDER



COVER FITTING

WIDTH (MM).	WEIGHT (KG)
W 150	0.2
W 200	0.3
W 300	0.5
W 400	0.6
W 500	0.7
W 600	0.9
W 700	1.0
W 800	1.1
W 900	1.2
W 1000	1.4

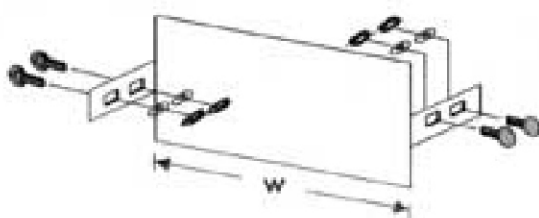
BLIND ENDS CLE TYPE



BLIND ENDS CLE TYPE

WIDTH (MM).	WEIGHT (KG)
W 150	0.96
W 200	0.98
W 300	1.10
W 400	1.30
W 500	1.50
W 600	1.70
W 700	1.90
W 800	2.00
W 900	2.20
W 1000	2.40

REDUCER PLATES CLE-N TYPE



REDUCER PLATES CLE-N TYPE

WIDTH (MM).	WEIGHT (KG)
W 50	0.36
W 100	0.49
W 150	0.60
W 200	0.73
W 250	0.83
W 300	0.98
W 400	1.23
W 500	1.50

Square neck bolts M8x15 and Flange nuts

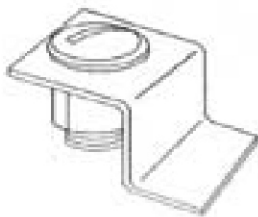


ISO: 9001
ASTM JIS UL

CABLE TRAY, CABLE LADDER COVER

STRAIGHT SECTION:

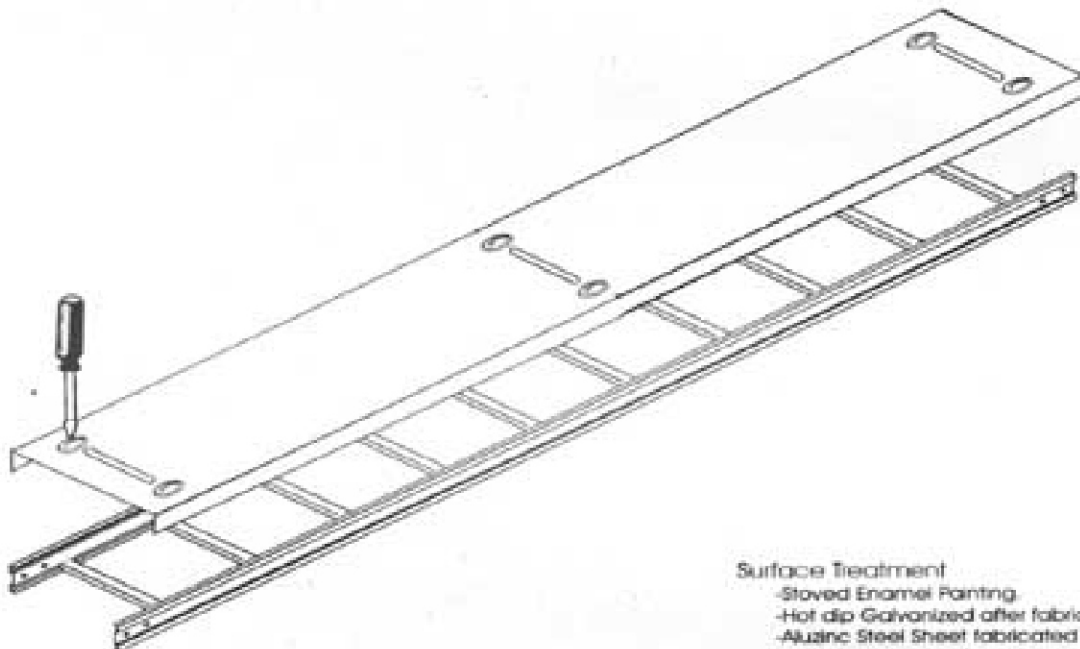
Locks



With mm	Weight kg/pce
10	0.029

For cover cable trays & ladder

Installation of cover Ladder System Components



Surface Treatment

- Stoved Enamel Painting
- Hot dip Galvanized after fabrication.
- Aluzinc Steel Sheet fabricated without painting
- Other surface treatment are available upon special requirement
- All Bolts, Nuts and Washers shall be Electro Galvanic
- Stainless

Class. Acc.to Din VDE 0639

Temperature class: -45 to 150 c

Corrosive and aggressive influences:

Medium resistivity (FS)

High resistivity (FT)

Insulation:

High resistivity (FS+FT)

บริษัท ไทยโตคอนส์ จำกัด Thai Tok Con Co.,Ltd

37/14 Moo.12 Bangna-Trad Km.12 Bangplee-Yai Dist.,Bangplee, Samutprakarn 10540

Tel.02-730-7600-2, Fax. 02-730-7603 www.thaianchorbolt.com, email: thaitokcon@yahoo.com

CABLE LADDER SYSTEM



ISO: 9001

ASTM JIS UL

Factory

5/28 Moo.12 Soo Tanasit Tepharat Km.15 Bangbar Dist. ,Bangplee, Samutprakarn 10540